



INTRODUCING THE
D2TM
OUTDOOR CAMERA
PROTECTION

THEY DON'T COME TOUGHER THAN THE D2TM

Forget everything you know about camera enclosures. This revolutionary D2 environmental housing resets the standard, providing heavy-duty protection to PTZ cameras from the rigors of outdoor exposure, vandalism and physical damage.

Environmental Options

The D2 is available with **Dotworkz Ring of FireTM** de-icing system for areas that reach -40°F and where ice/snow collects, **Dotworkz CooldomeTM** thermo-electric cooling system protects cameras in blazing hot temperatures up to 155° F. These systems prevent heat or cold induced shutdowns and the risk of damage to expensive cameras. The basic D2 is also available with standard duty heater and blower.

Compatible with 99% of PTZ Cameras

The D2 is compatible with virtually every IP and analog PTZ camera on the market — Axis, Canon, Toshiba, JVC, Panasonic, Sony and many more.

Extra Large Component Bay

The D2 allows a variety of standard sized accessories to be safely shielded inside the housing, such as routers, cell networks, wireless Mesh hardware, UPS systems, hard drives, and mini-storage devices.

Extreme Protection

The D2 is constructed of thermoplastic alloy that will not rust or corrode. It is designed to protect against water, ice, salt or heat. Its .125 inch optical cell high-impact acrylic lower lens is impact resistant.

- IP and analog PTZ camera compatible
- Switchable upper and lower camera mounting locations to maximize internal space
- “Vari-Fit “ internal bracket included for perfect camera fit
- Included bracket compatible with 99% of PTZ cameras
- Water and air tight - perfect for all environments
- Will not rust or corrode
- Shock and vandal proof
- IP68 (water proof) connection ports
- Large onboard component bay with space for:
 - Routers
 - Cell networks
 - WiMAX and Mesh hardware
 - Hard drives
 - UPS
- Built in antenna mounting tab
- Optically Pure and tested Heavy-duty lower lens for impact resistance

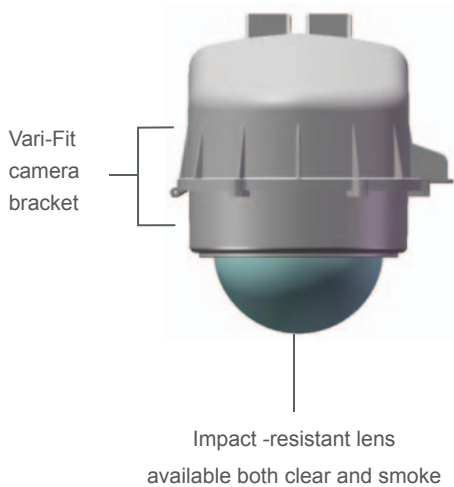
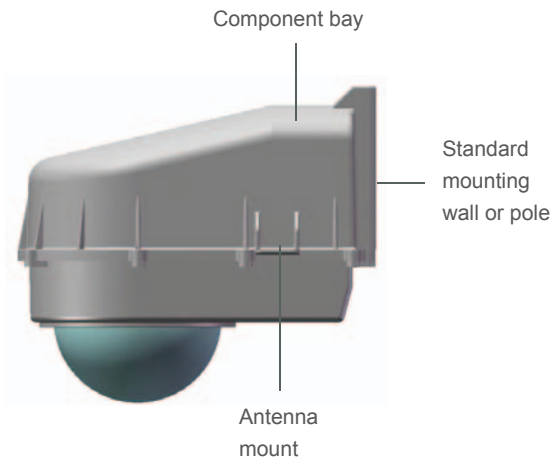
D2 CAMERA ENCLOSURE SPECIFICATIONS

The standard D2 option package is supplied with:

- D2 camera enclosure
- Vari-fit Camera bracket
- Humidity absorber pack

Optional environmental systems:

- Cooldome™ thermo-electric cooling module
- “Ring-of-Fire” heating module
- Basic Heater and Blower
- Dual fan system



Mechanical size

Dimensions (L x W x H):	14.9" X 11.7" X 13.2"
Weight (enclosure):	5lbs
Construction	
Enclosure:	Thermal-plastic resin
Lens:	High-impact acrylic, .125" thickness
Power Cable Length:	5 feet

Environmental options

Heater/Blower (optional)	30°F to 95°F (-1°C to 32°C)
Ring-of-Fire (optional)	-40°F (-40°C)
Cooldome (optional)	90°F to 155° (32°C to 68°C)

Wireless “SideKick”

Type	Integrated Dotworkz RapidLink
Frequency	2.4GHz 802.11 B/G
RF Transmission Rate	30Mbps
Range	Up to 5 miles (with Line-of-Site)

Electrical

Power Consumption	
Heater/Blower	12V 60W
Cooldome	12V 250 W
Ring-of-Fire	24V 125W
Power Source	110-220 VAC, 12VDC
AC Frequency	47-63Hz